

# *The Mu3e SciFi Detector Mechanics*

*Version 1*

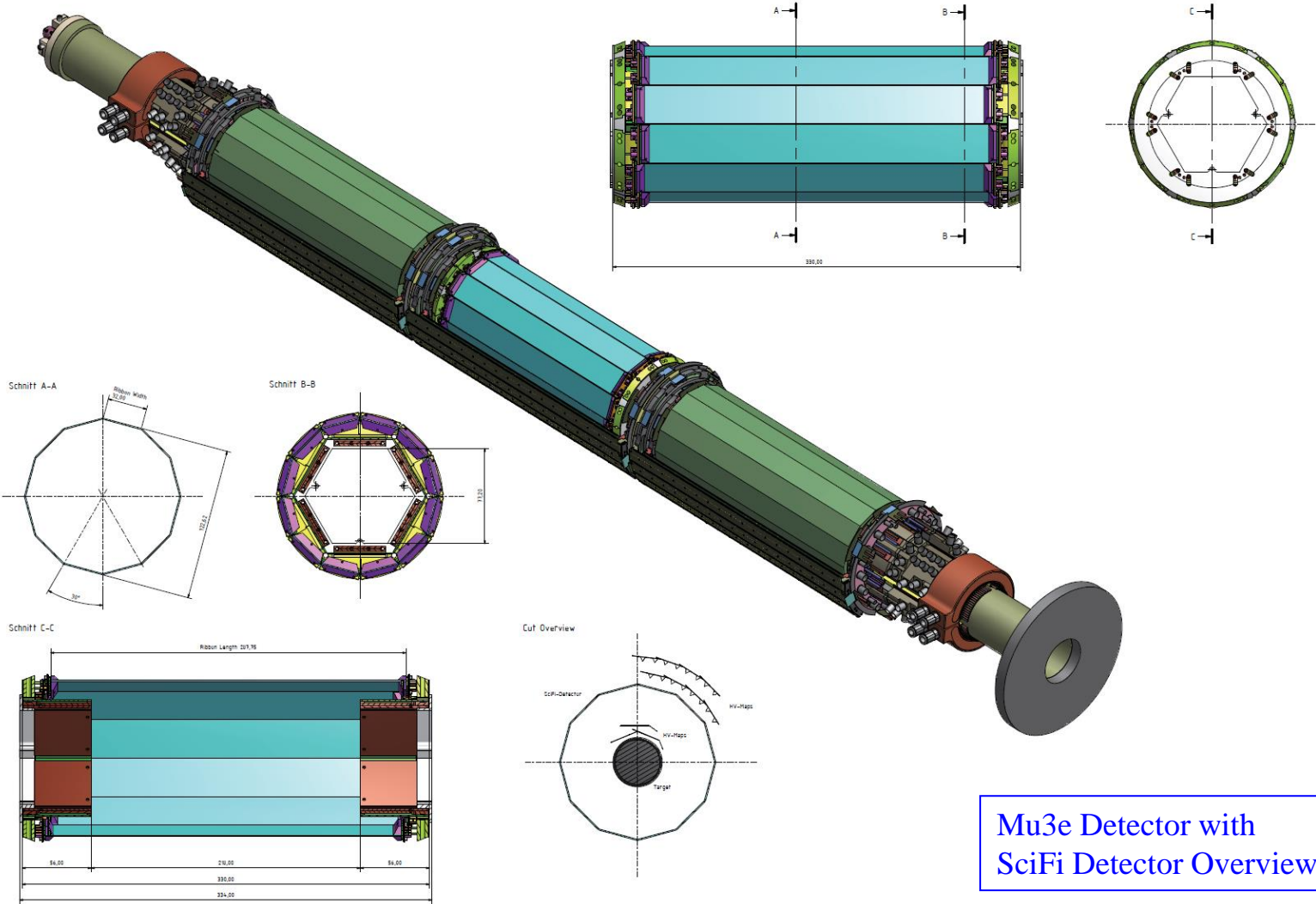
*Wednesday 20 June 2018*

*Peter Robmann*

Universität Zürich

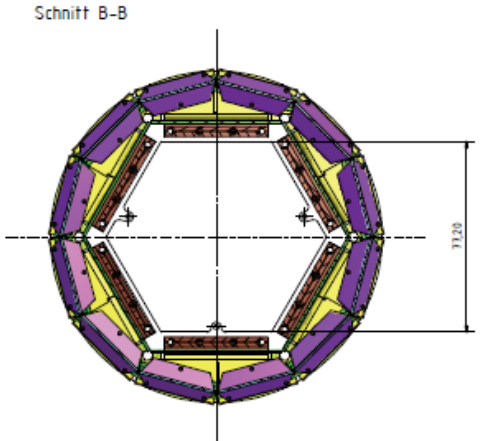
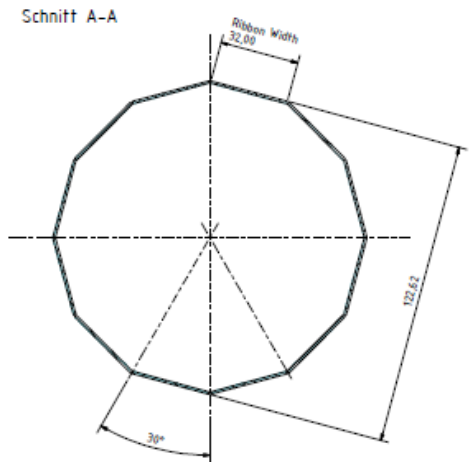


# The Mu3e SciFi Detector Mechanics – Version 1

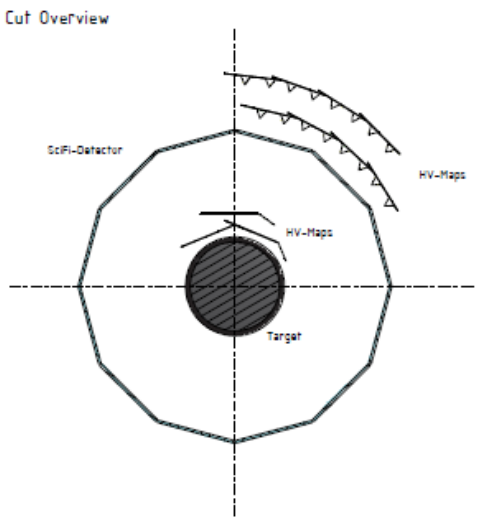
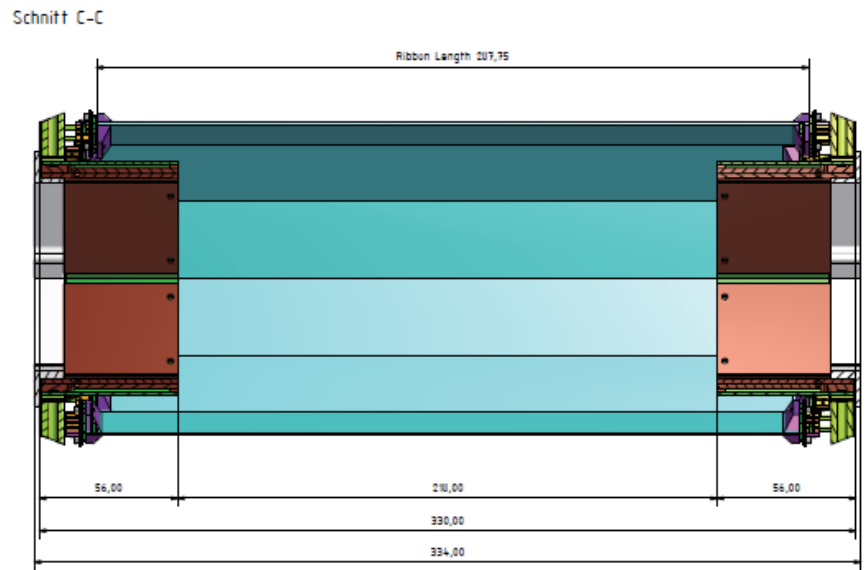


Mu3e Detector with SciFi Detector Overview

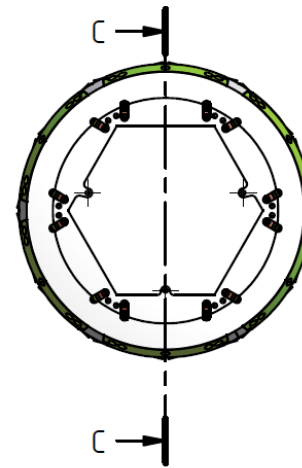
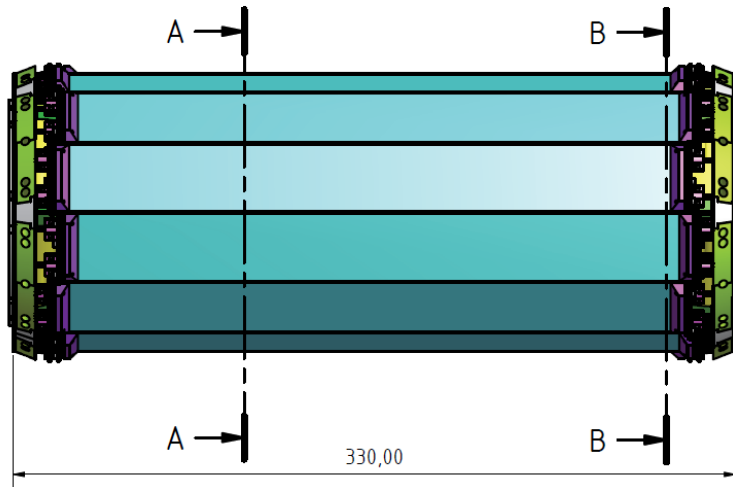
# The Mu3e SciFi Detector Mechanics – Version 1



Mu3e Detector with SciFi Detector Overview (more detailed view)

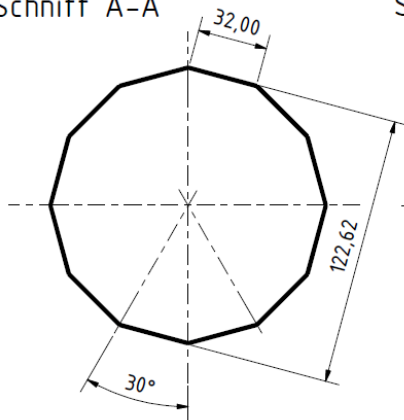


# The Mu3e SciFi Detector Mechanics – Version 1

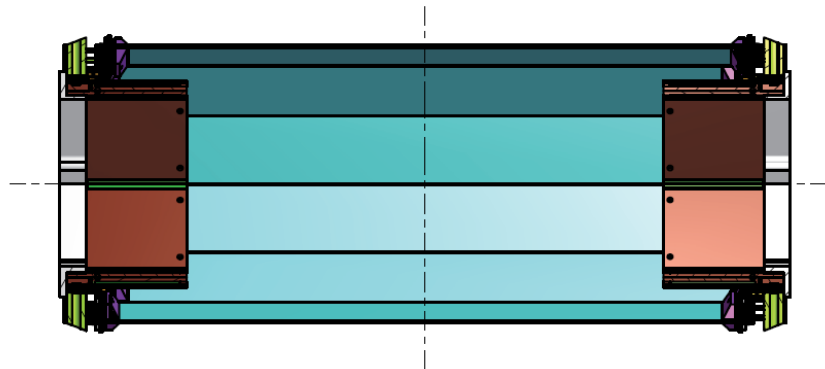
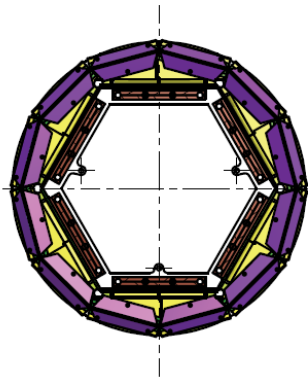


Schnitt C-C

Schnitt A-A



Schnitt B-B

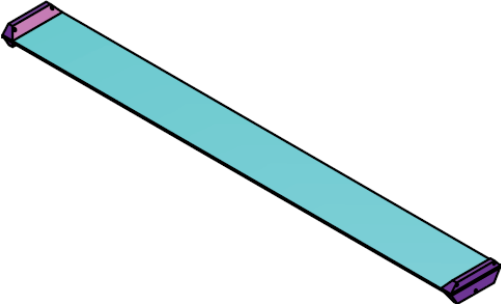
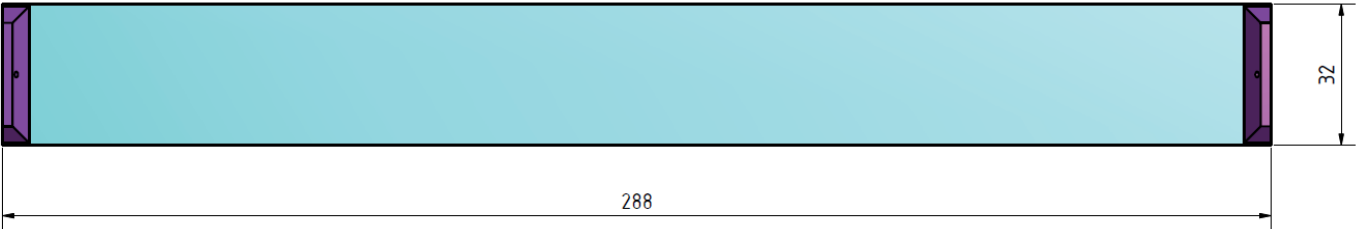


SciFi Detector Overview

# The Mu3e SciFi Detector Mechanics – Version 1

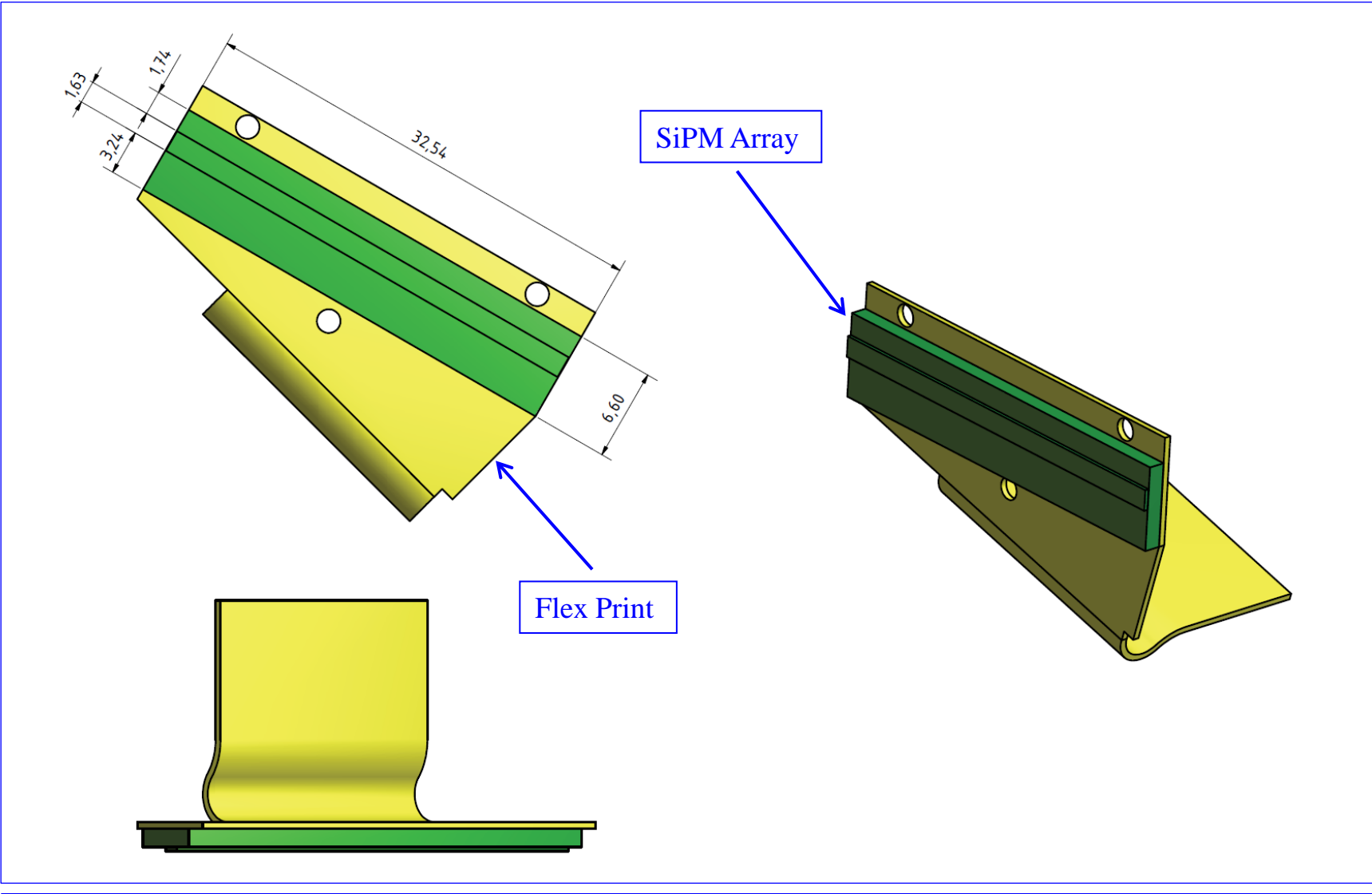


SciFi Detector Ribbon  
Thickness = ?

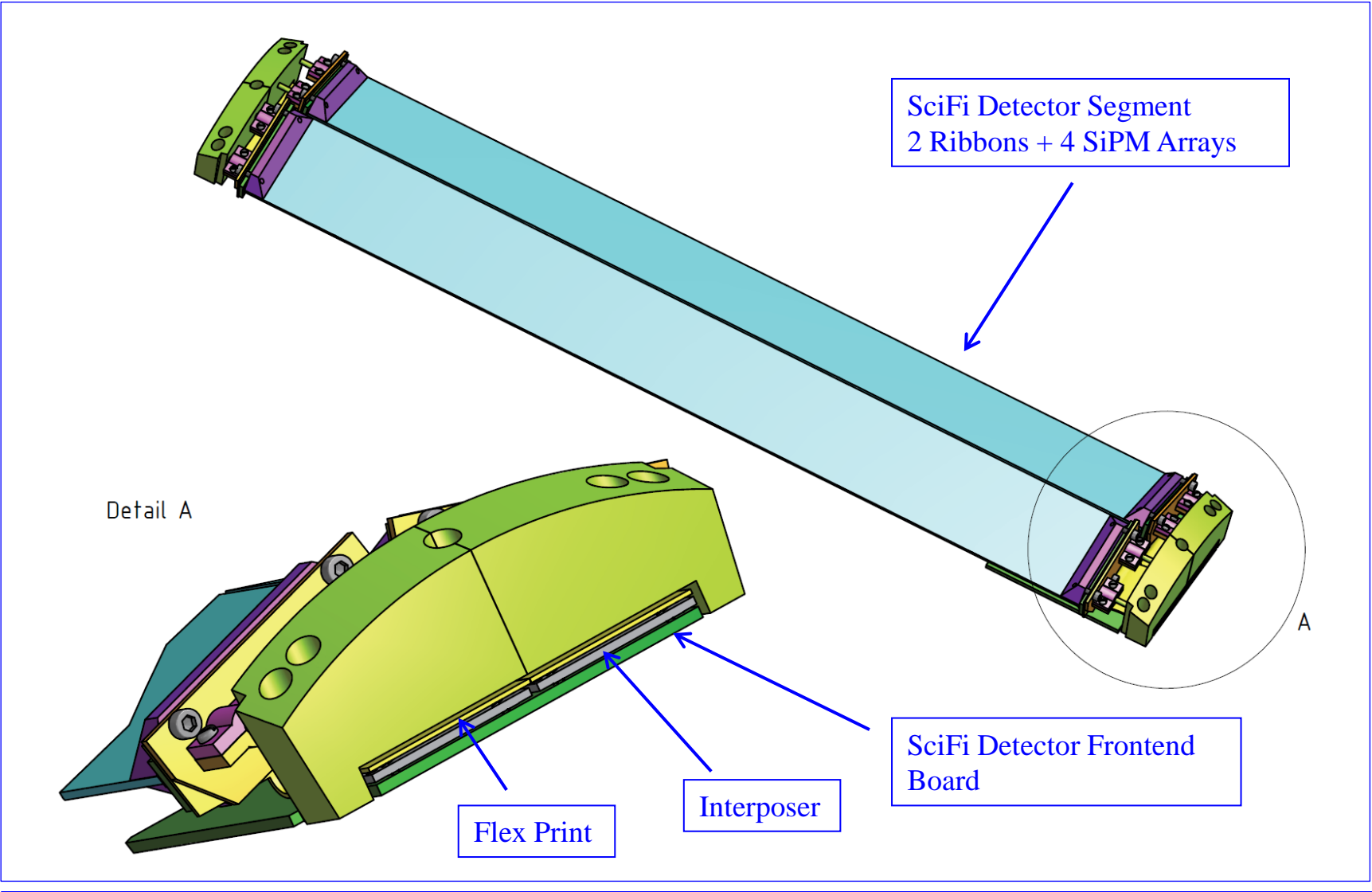


SciFi Detector Ribbon with  
Sensor Holders

# The Mu3e SciFi Detector Mechanics – Version 1



# The Mu3e SciFi Detector Mechanics – Version 1



# The Mu3e SciFi Detector Mechanics – Version 1

