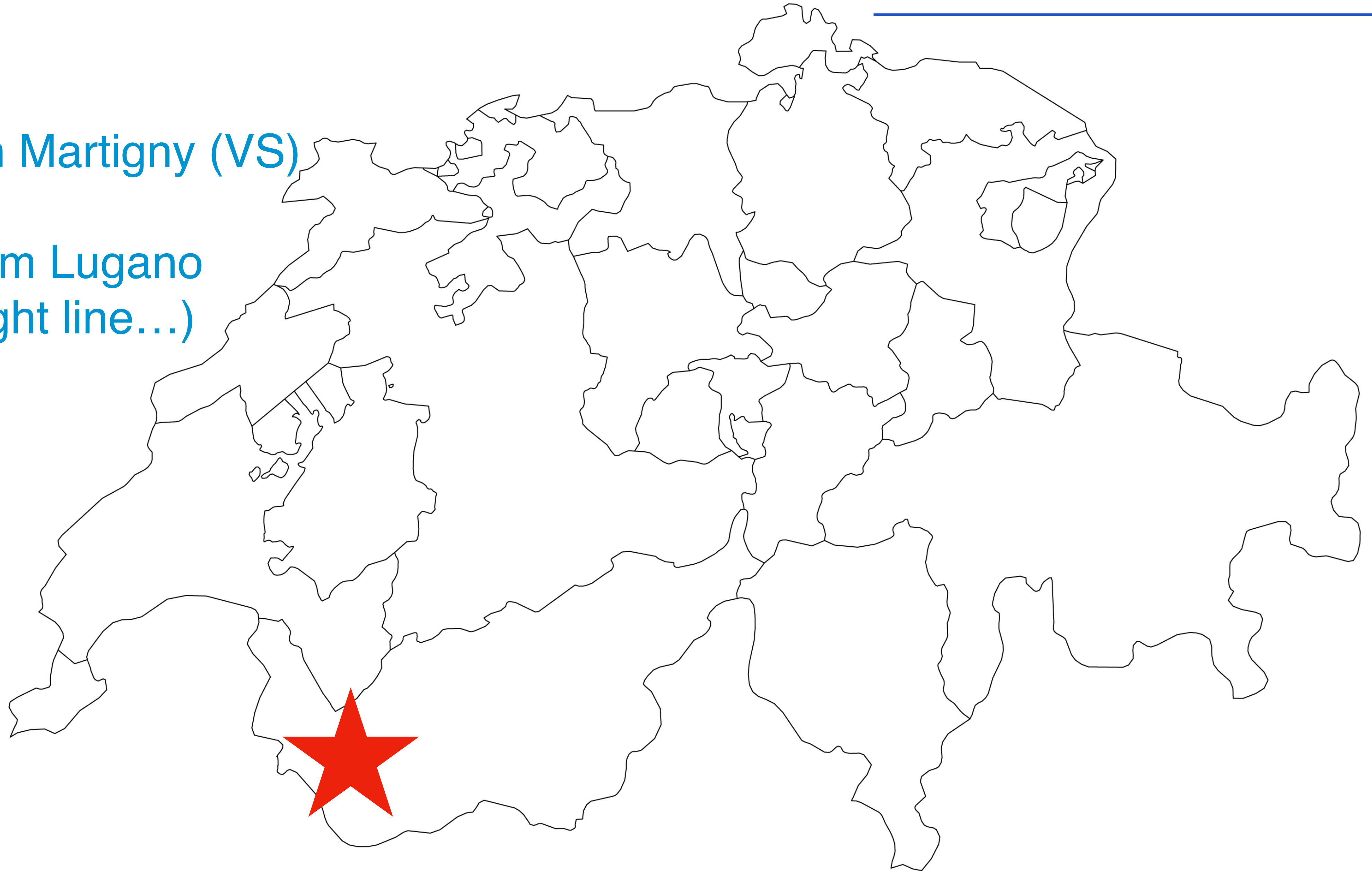


Idiap Research Institute

Located in Martigny (VS)

145km from Lugano
(In a straight line...)



Non profit independent research institute of national importance

Financement:

~25% Confederation

~25% Canton + Commune

~50% Competitive research funding

~200 employees in ~19 research groups

The name used to mean

Institut

Dalle Molle

d'Intelligence

Artificielle

Perceptive

The **AI / IA** part of the name was dropped in 2010 as AI was out of fashion

Now it's the "Idiap Research Institute"

AI for Society

Idiap is a research institute of national importance active in the field of artificial intelligence that engages in **fundamental research**, **education**, and **technology transfer** in artificial intelligence, machine learning and signal processing.



Research Programs

Human-AI Teaming

Sustainable & Resilient Societies

AI for Life

AI for Everyone

Researchers are good at research.

What happens when research involves writing code?

What happens when research requires running models?

What happens when the research needs to be published or shared?

19 Group Leaders

Dedicated R&D Team

Idiap HPC Cluster

Data Manager and Tech Transfer

Number one request: *I need more GPUs!*

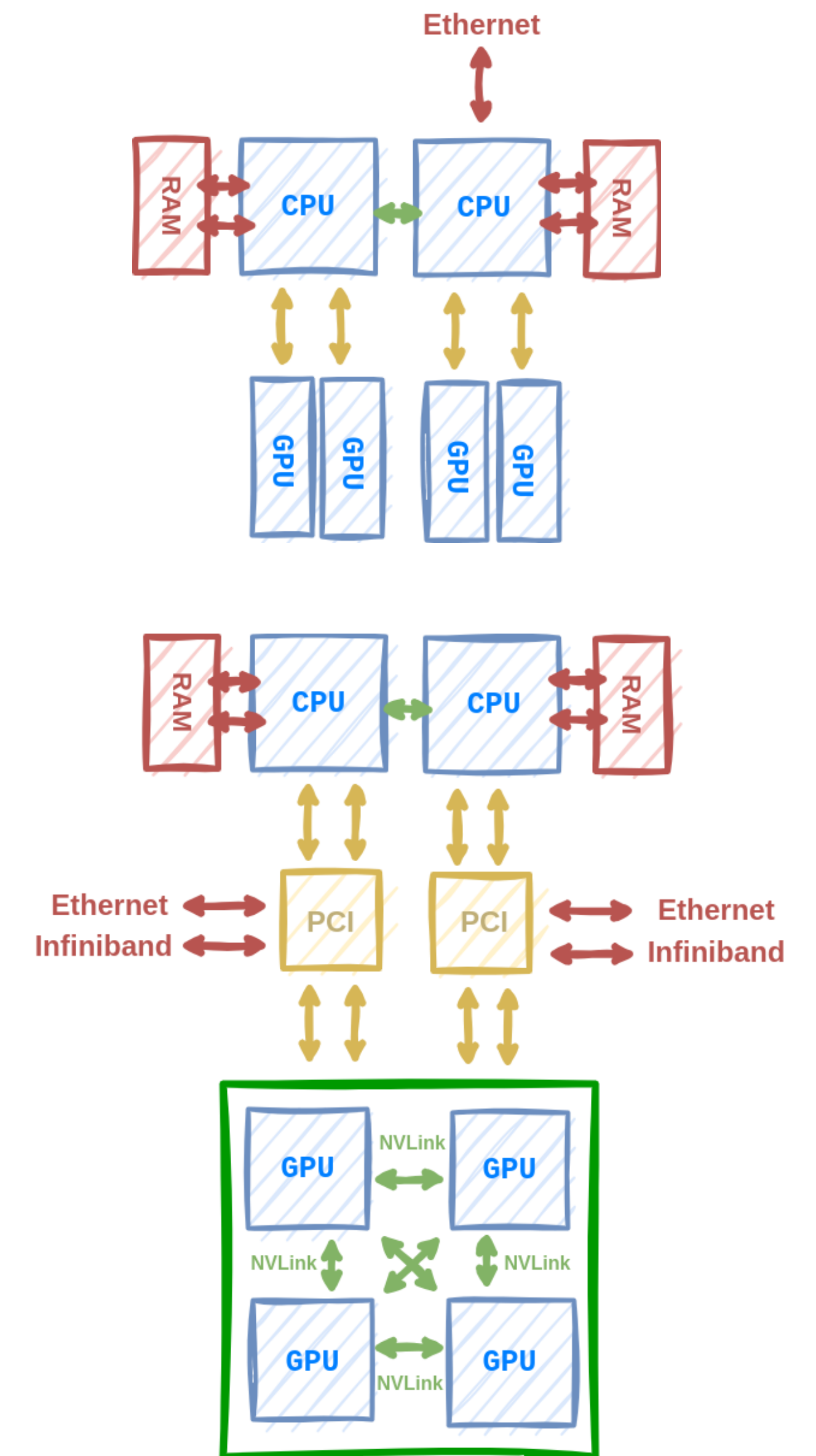
HPC cluster based on x86 + NVIDIA GPUs

O(100) RTX3090 (8 per machine)

O(10) H100 + NVLink (4 per machine)

Slurm + Spack + Apptainer + Gitlab

Usual problem of Interactive vs Batch



What's next?

Datacenter renovation Q1 2025

Production Kubernetes infrastructure

Use Renku v2 (SDSC) for development and interactive computing

Deploy FirecREST at Idiap

CSCS2go for access to more GPUs?

