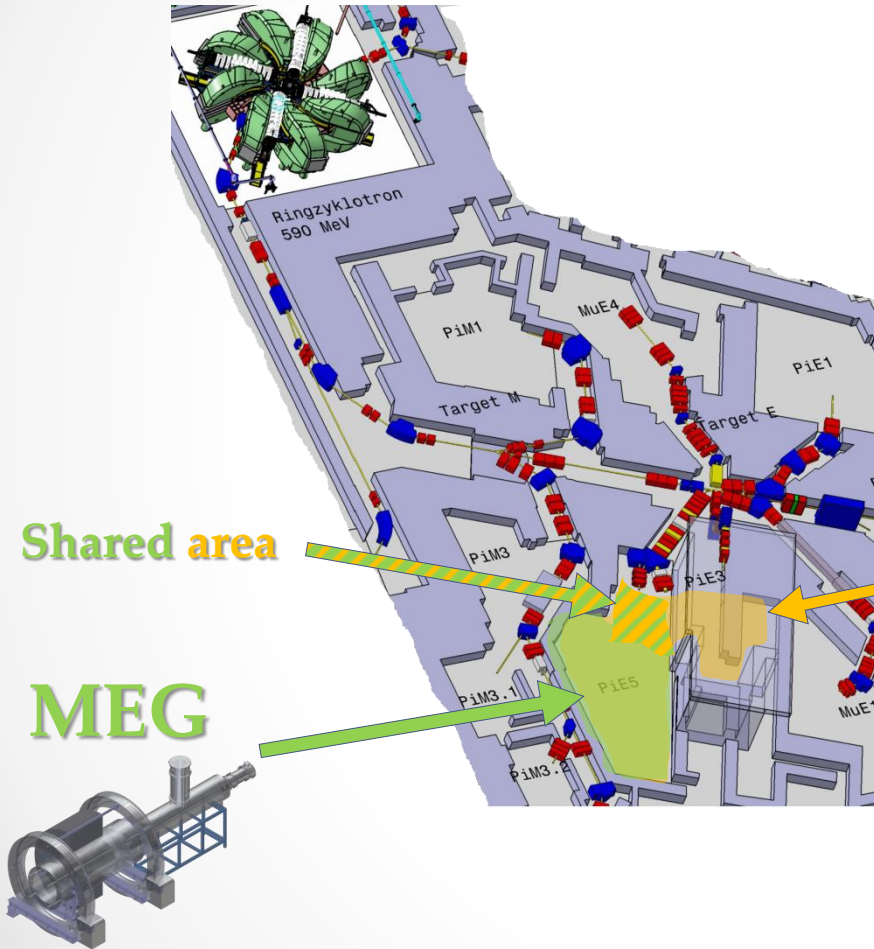


# Area Layout

Danfysik Mu3e Meeting

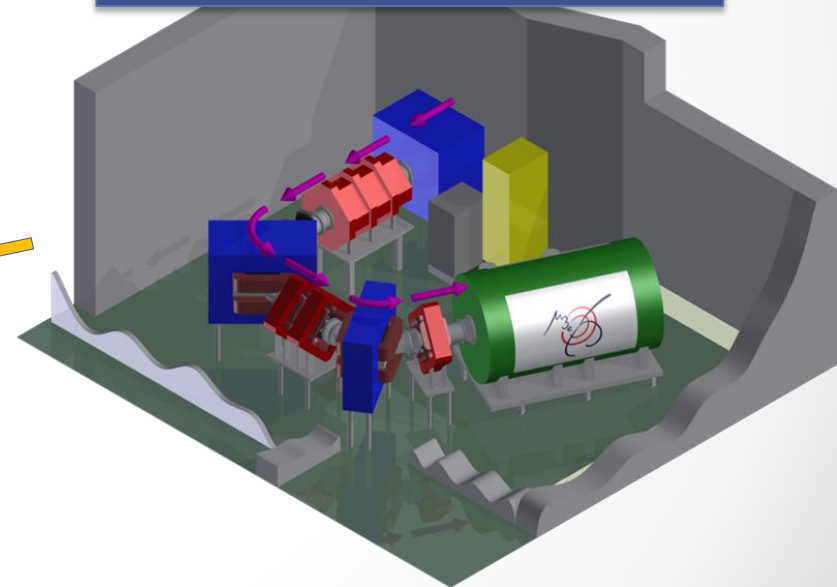
23.9.2015 PSI

# Overview floormap



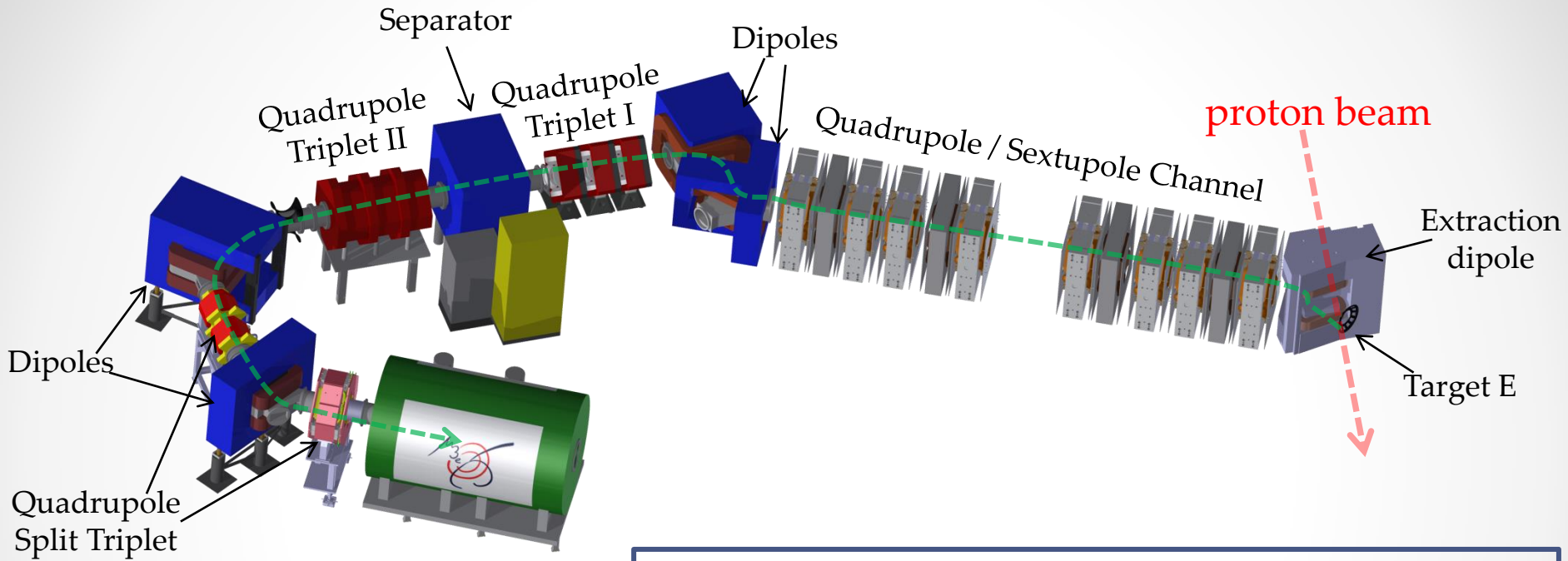
## Mu3e

### Compact Muon Beam Line

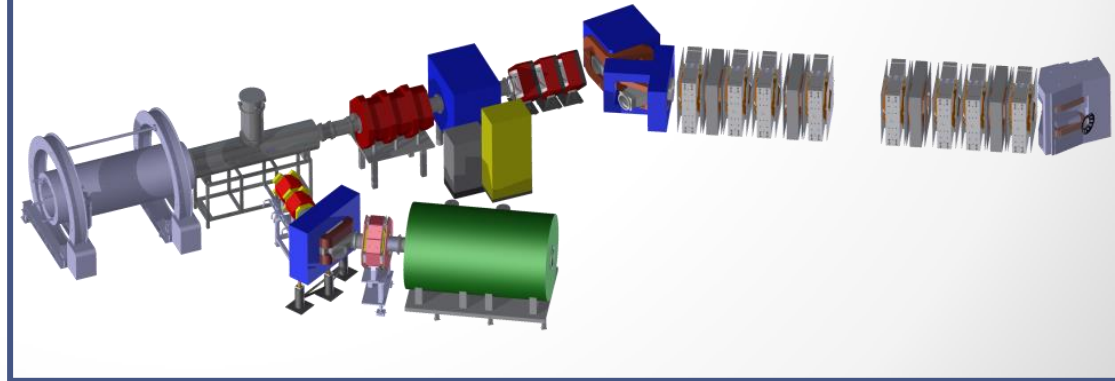


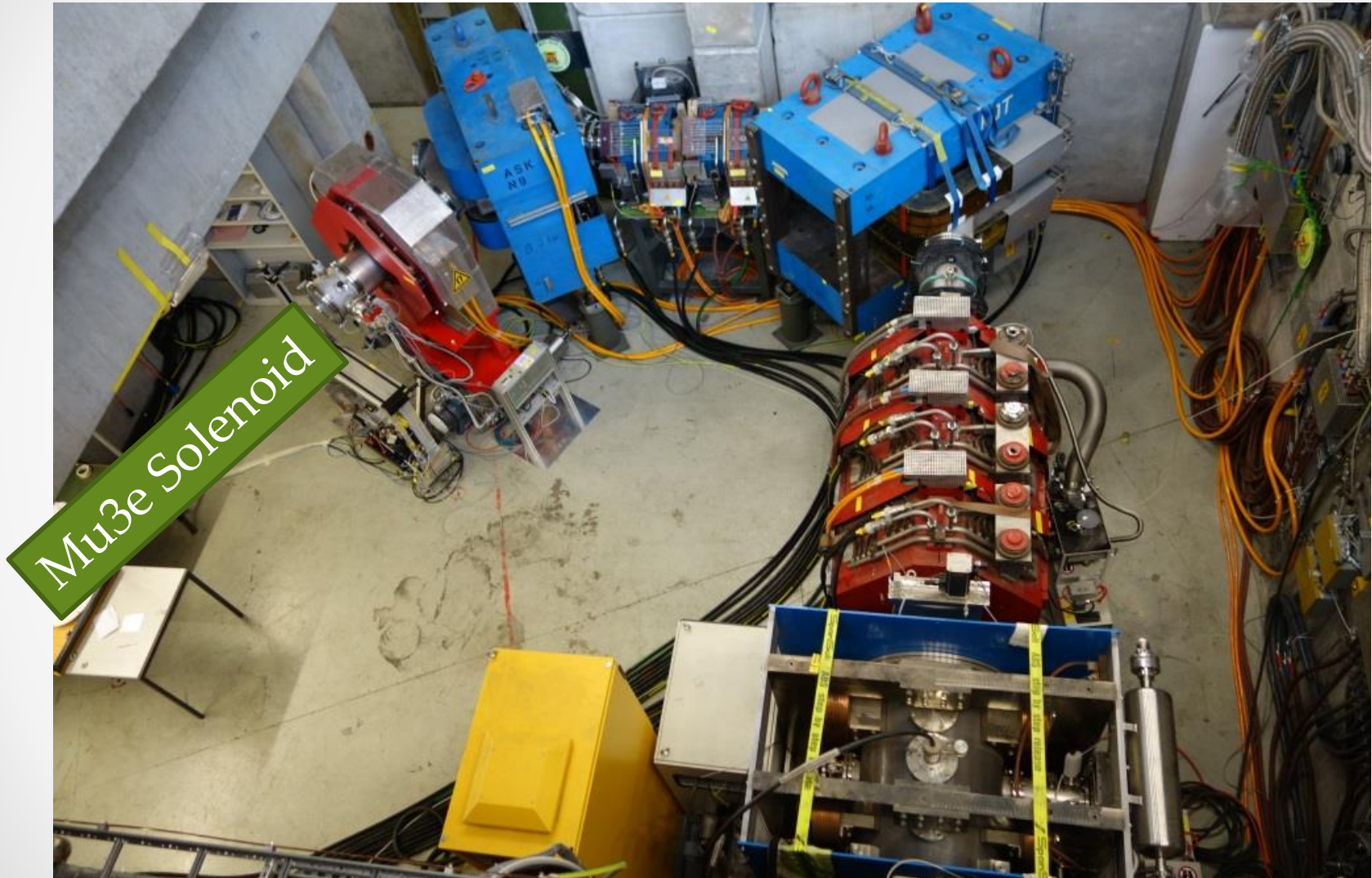
Strict spatial constraints!

# Mu3e / MEG

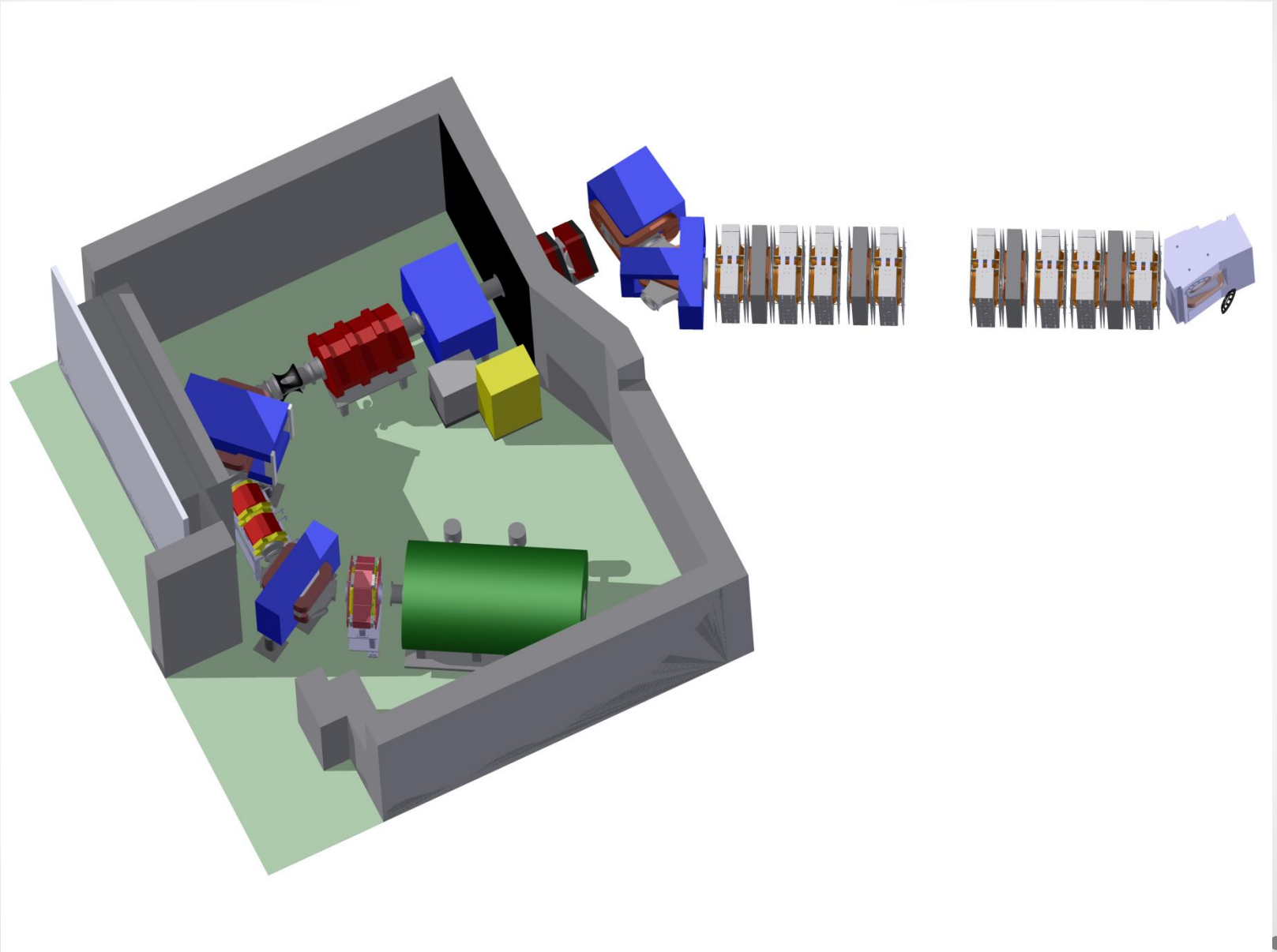


## Change setup to MEG

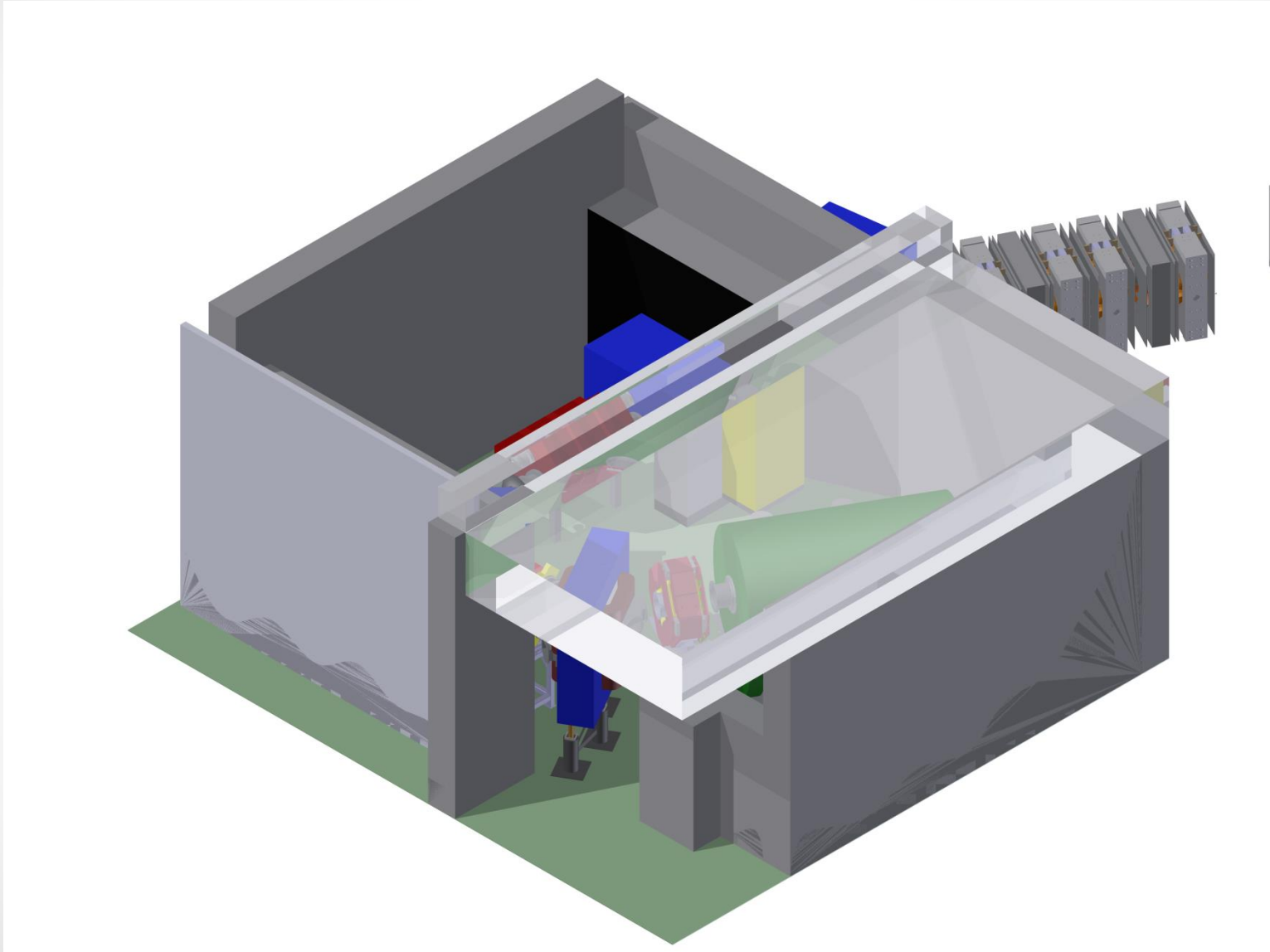




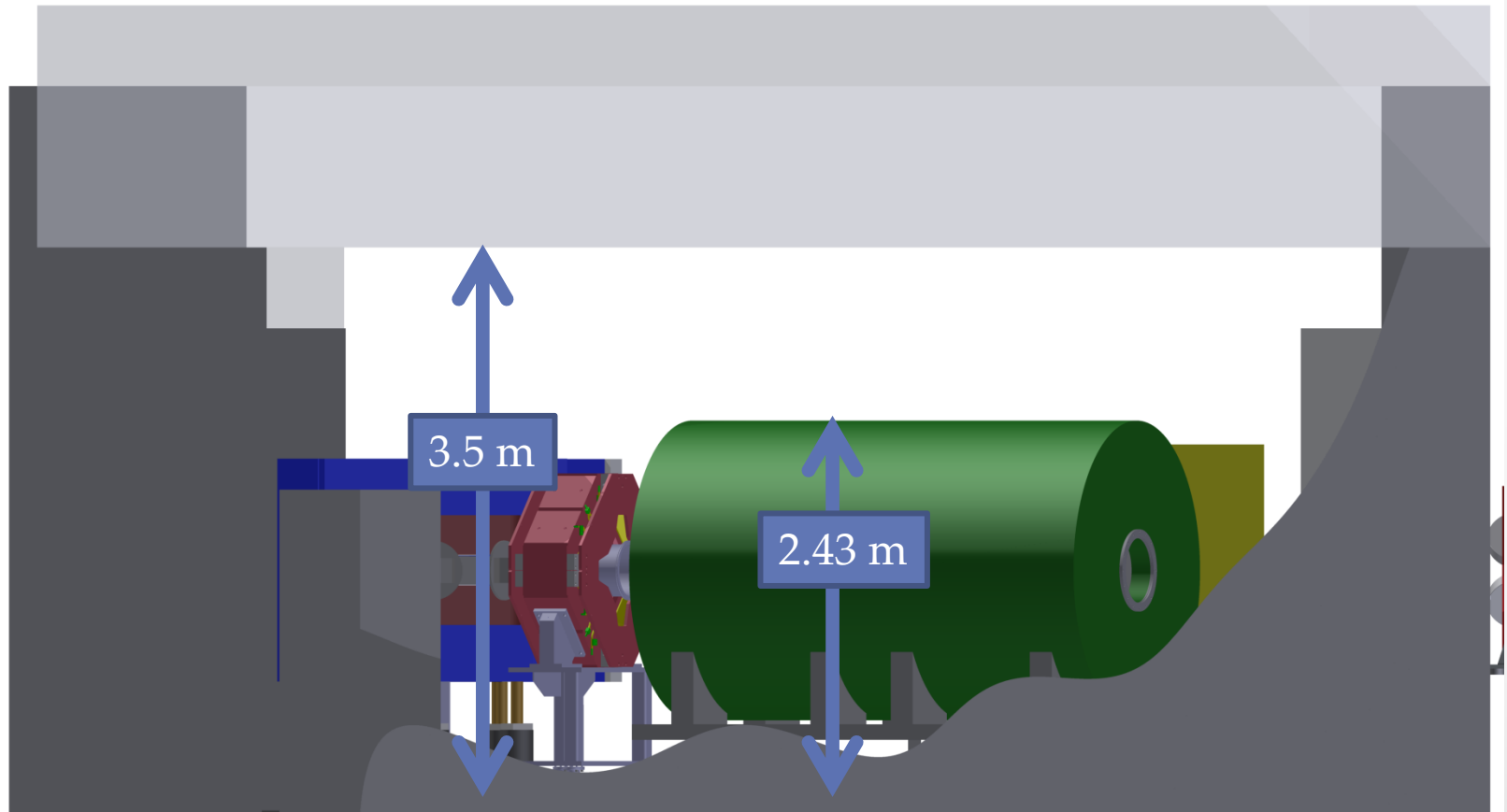
# Layout 1



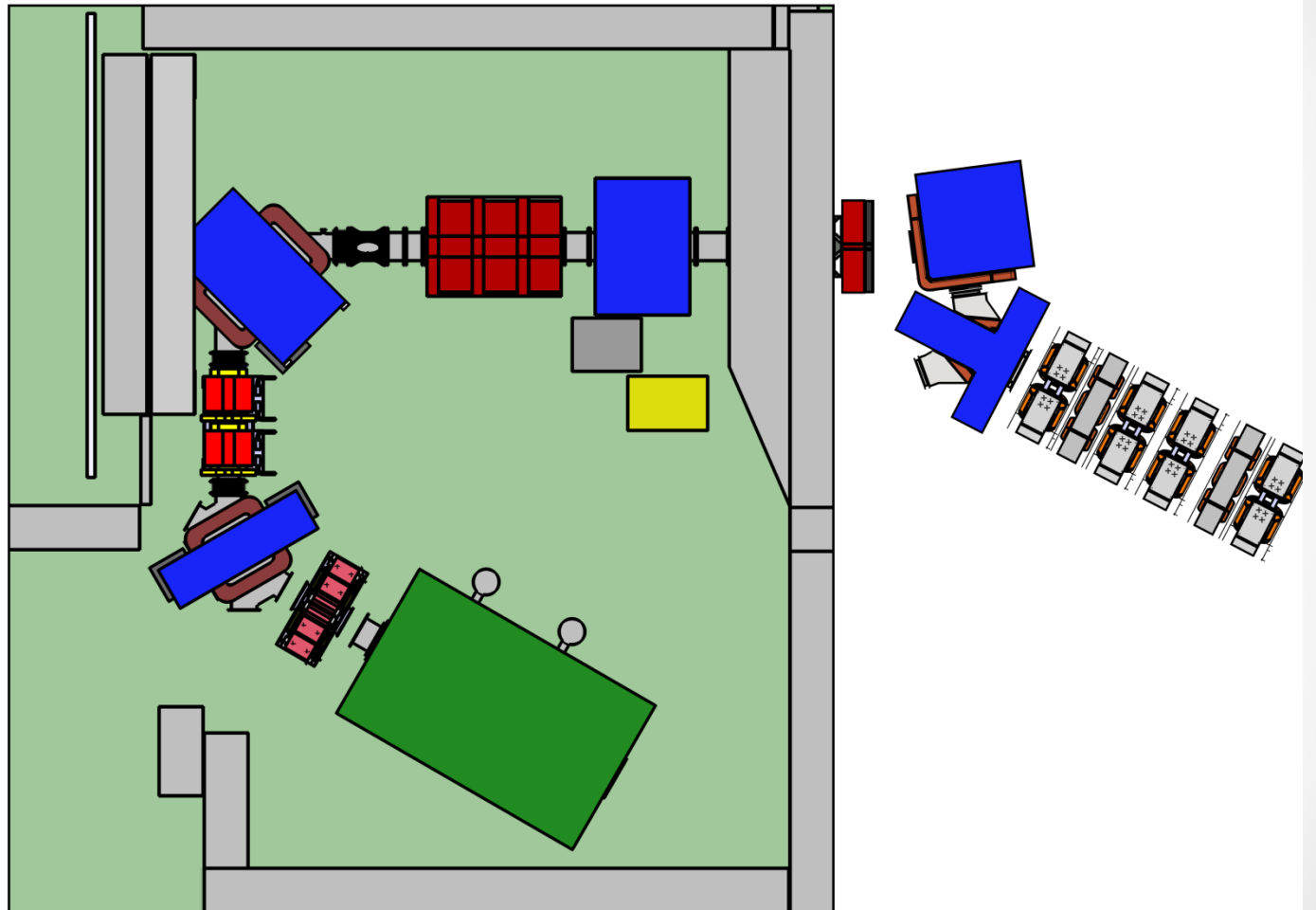
# Layout 2



# Constraints by Ceiling

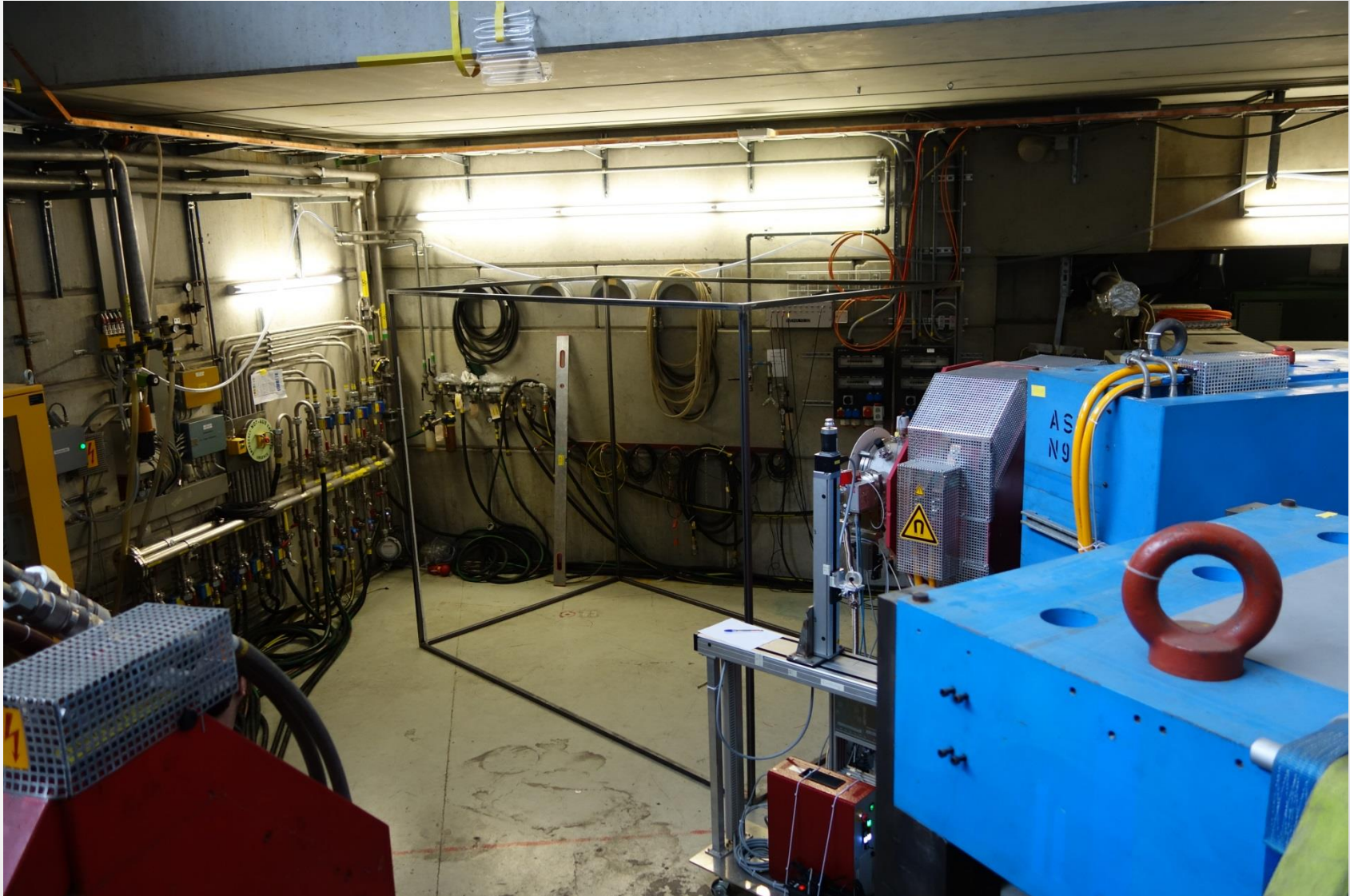


# Constraints by walls 60° CMBL





# Constraints by walls 60° CMBL

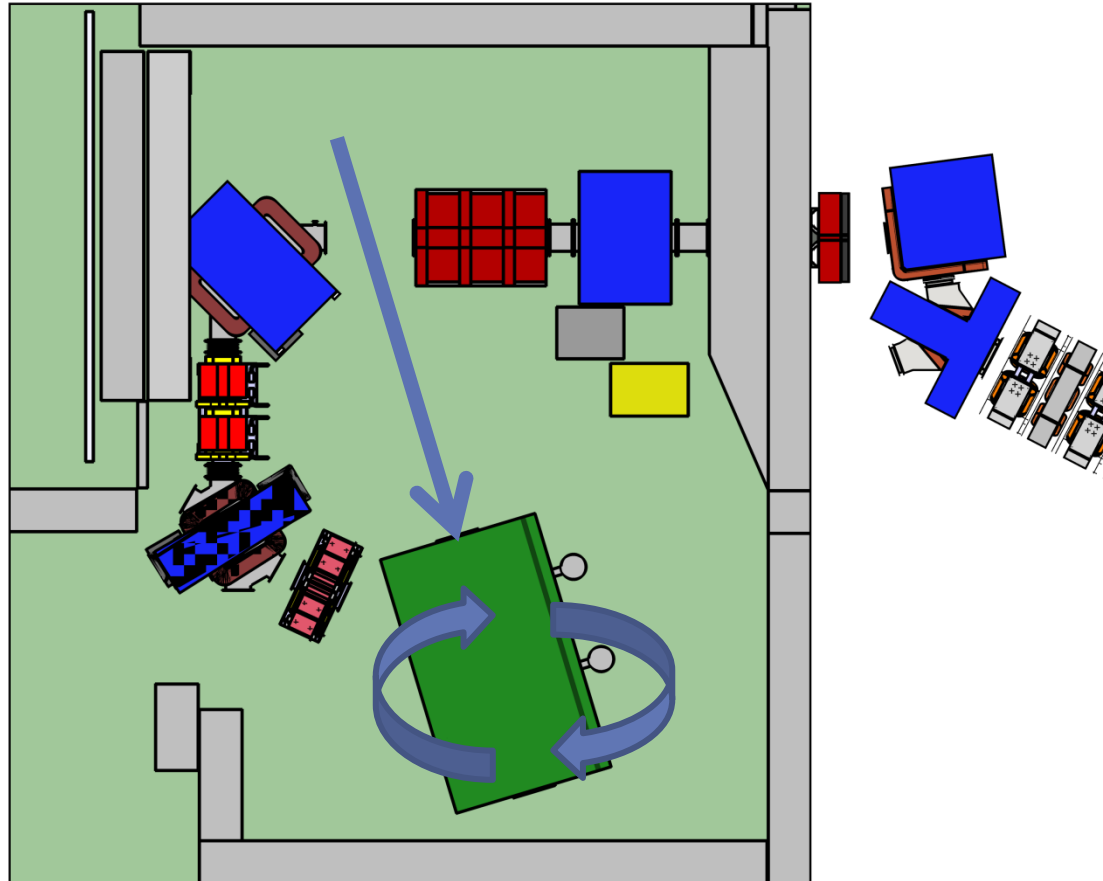


# Constraints by walls 60° CMBL

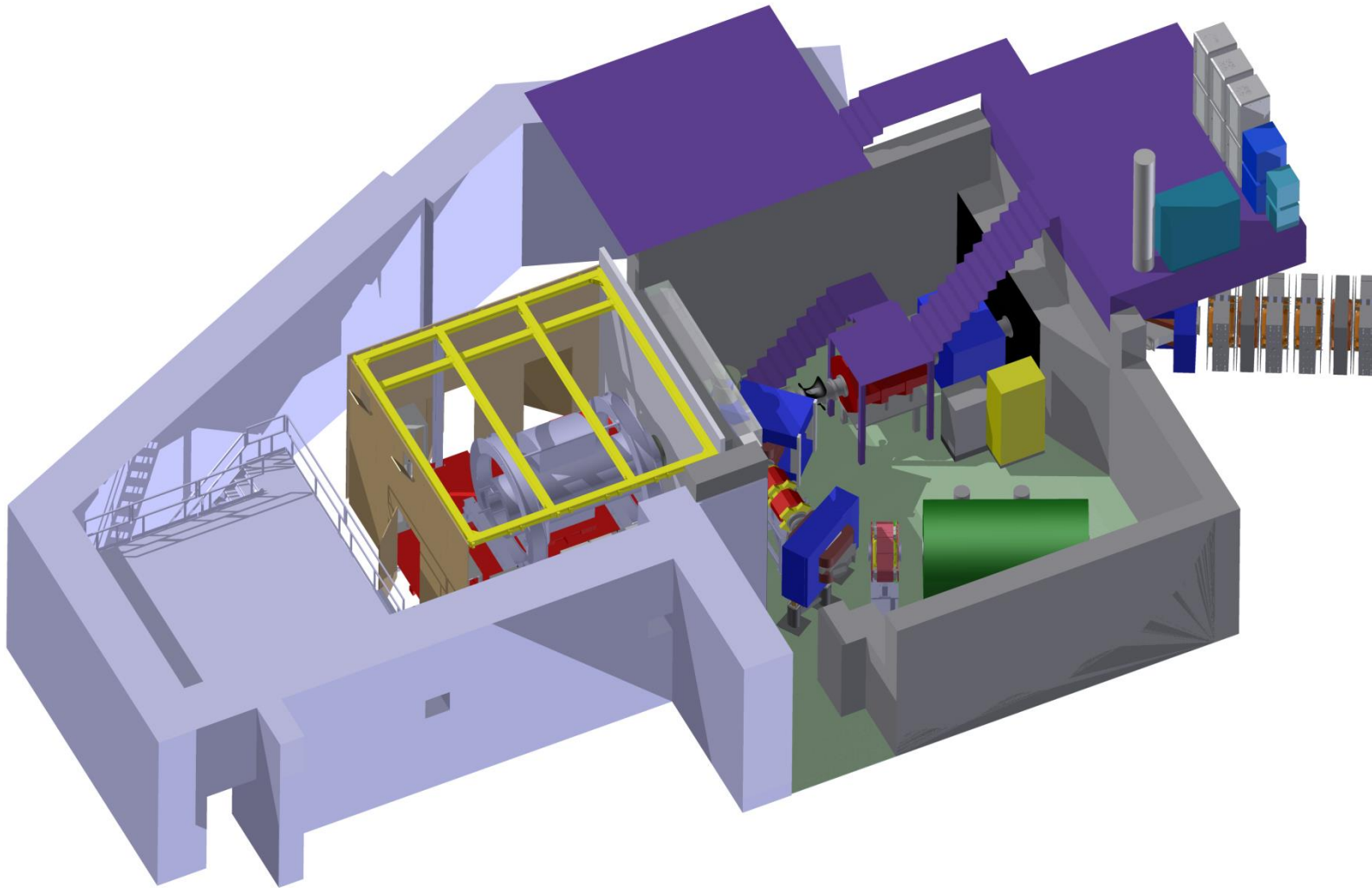




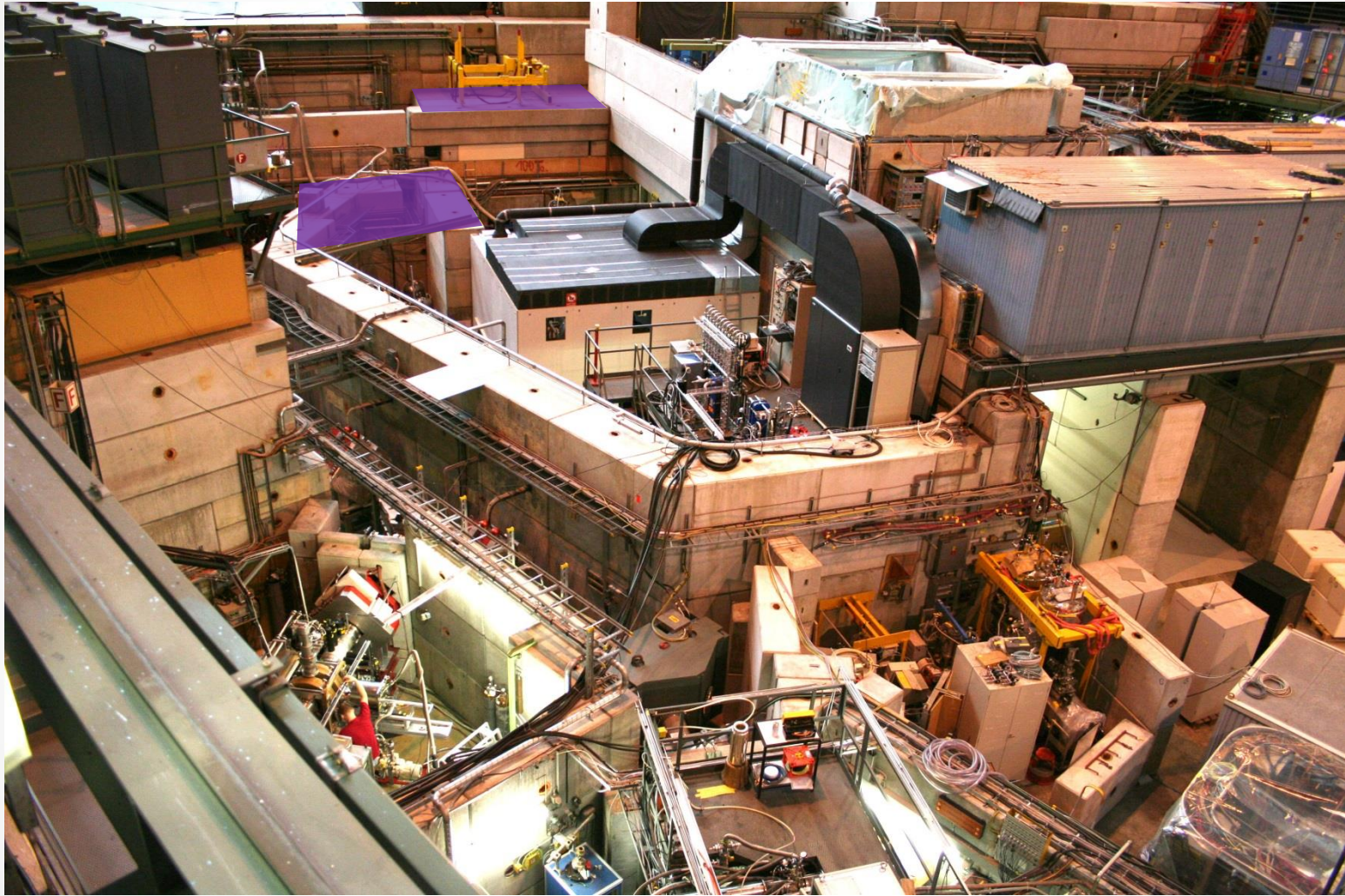
# Access to inner parts of the magnet



# Access to area and available space



# New access



# Magnet infrastructure on balcony

