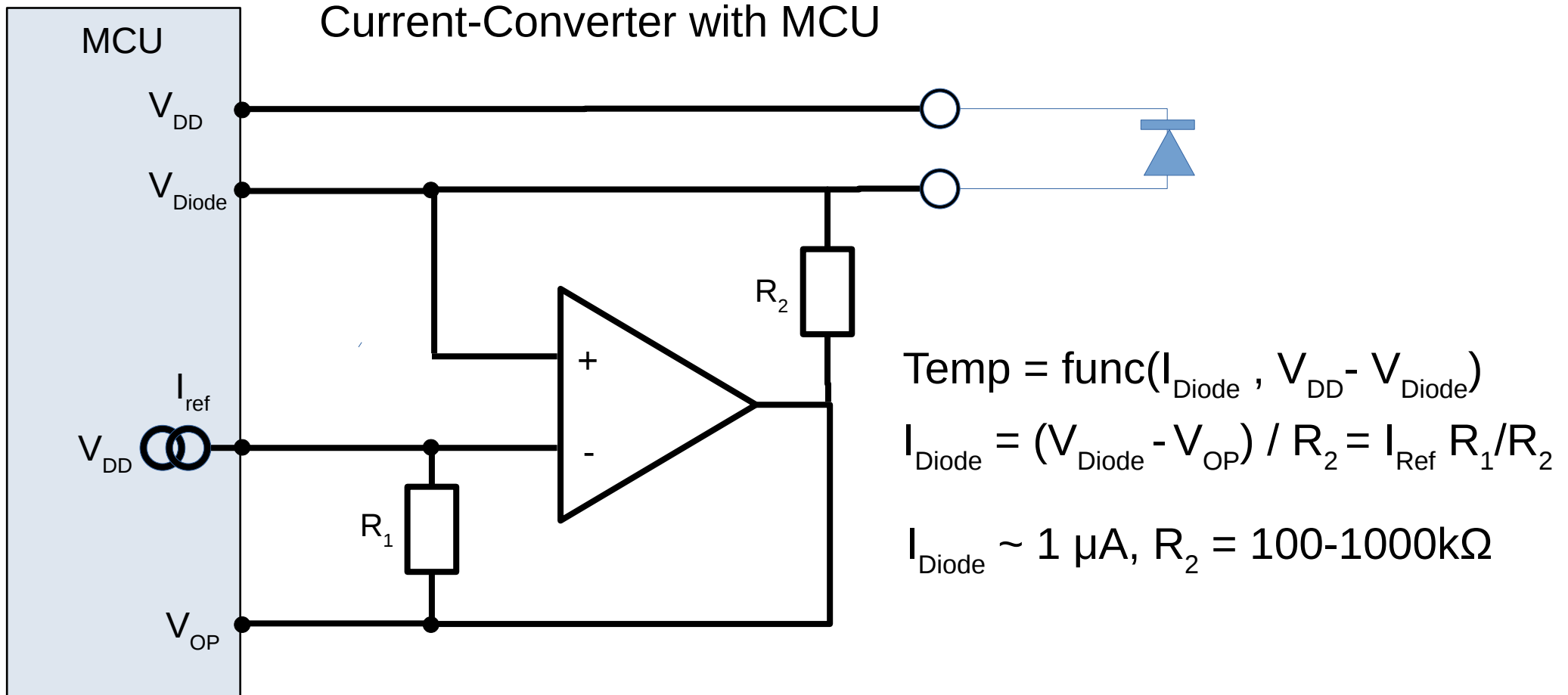


Pixel Temperature and V_{DD} Measurement



$$\text{Temp} = \text{func}(I_{Diode}, V_{DD} - V_{Diode})$$

$$I_{Diode} = (V_{Diode} - V_{OP}) / R_2 = I_{Ref} R_1 / R_2$$

$$I_{Diode} \sim 1 \mu\text{A}, R_2 = 100\text{-}1000\text{k}\Omega$$

$$U_{R2} = U_{R1} = R_1 I_{Ref}$$

(I_{Ref} : 6 bit DAC)