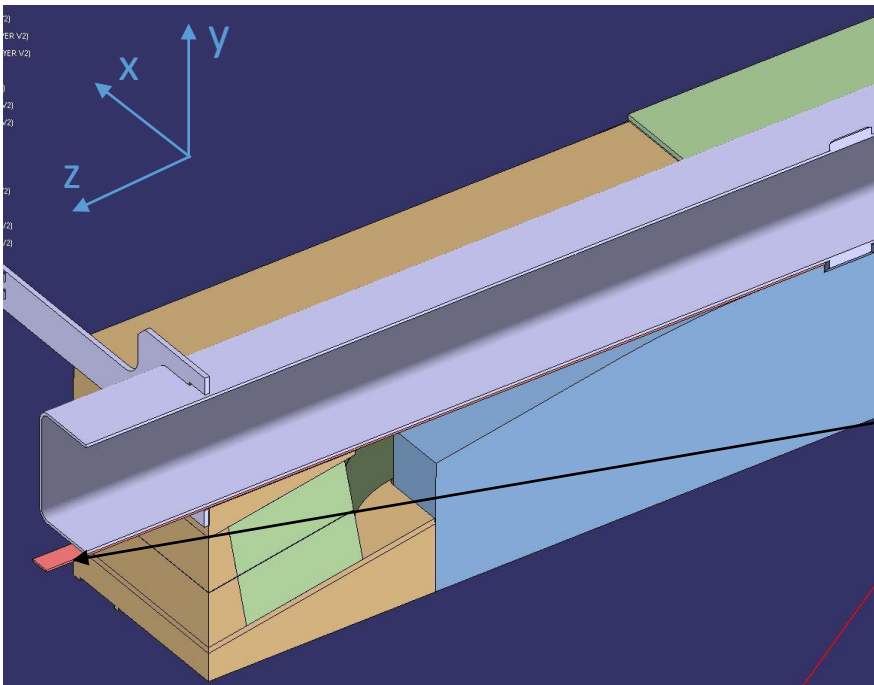
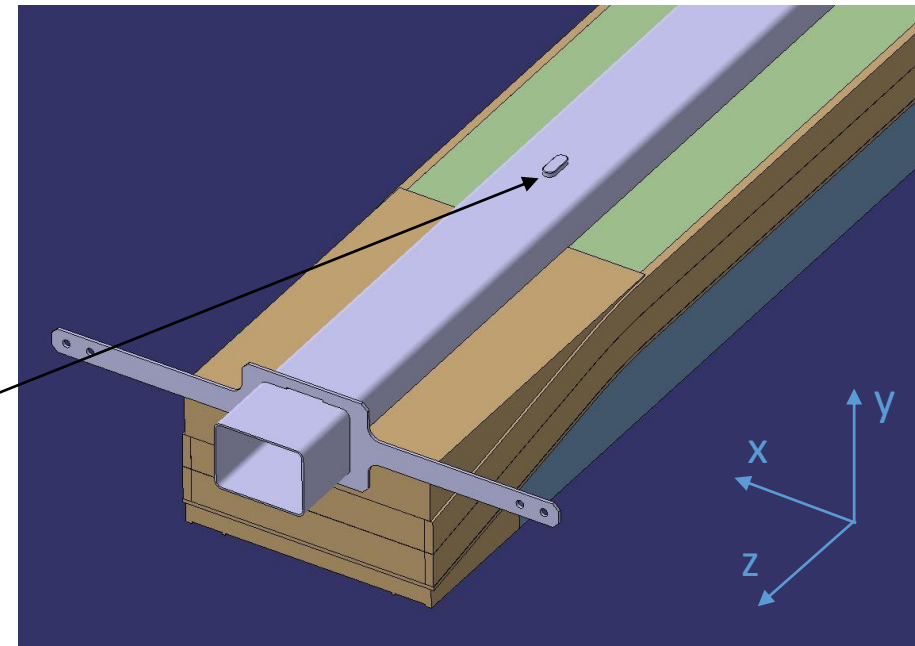
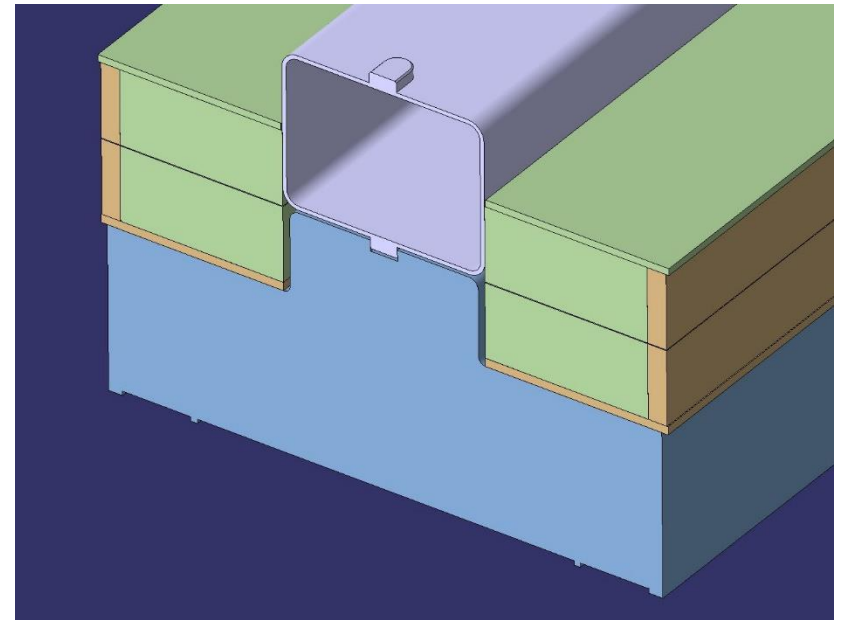


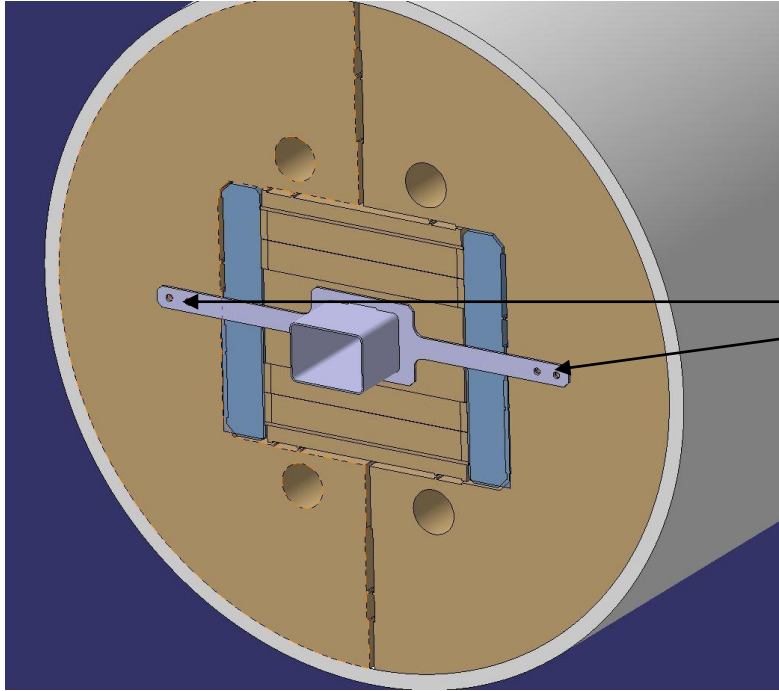
Groove in the pole for test well centering

Welded key on the test well



Removable shim for guaranteeing the "Y" position of the test well





Final fixation of the test well
This area experiences the least deformation

“Wings” solution for “Y” direction positioning of the test well

